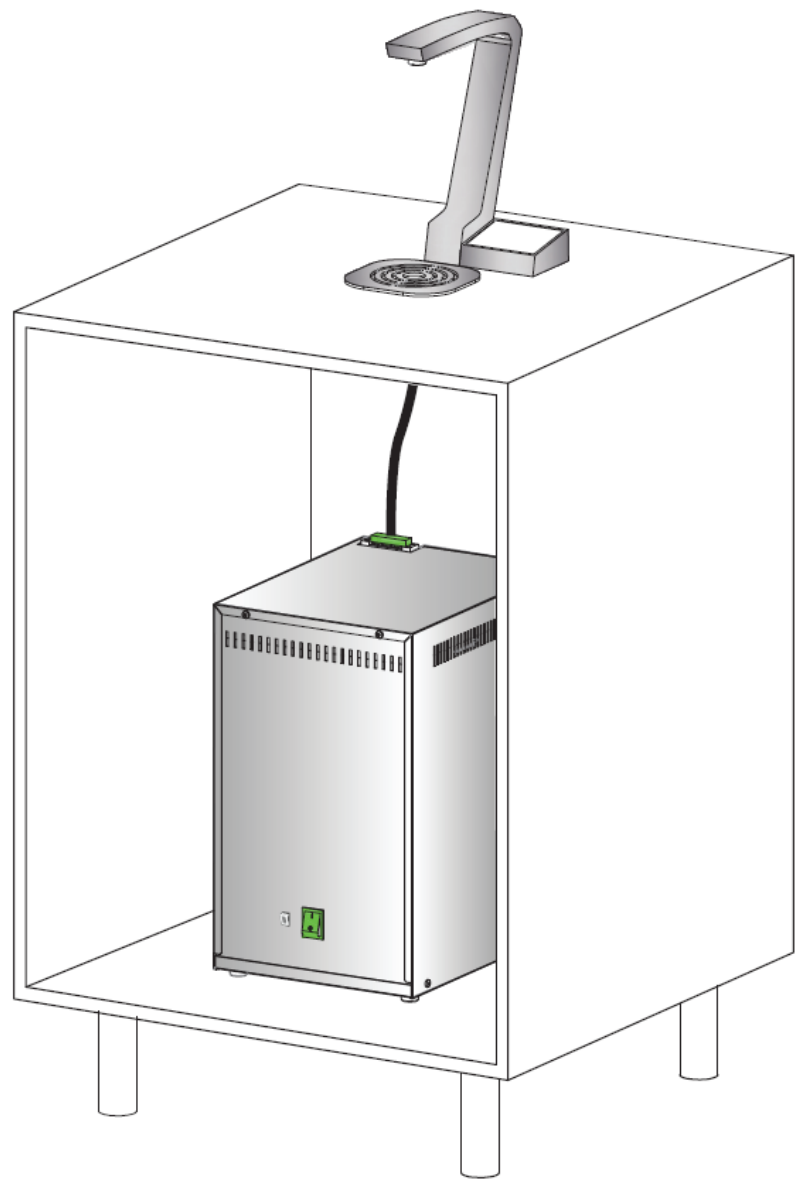


PRO

stream

A decorative graphic consisting of a series of colored dots in a semi-circular arc below the word 'stream'. The dots are colored in shades of blue, cyan, orange, and red.

Cosmetal Installation Guidance

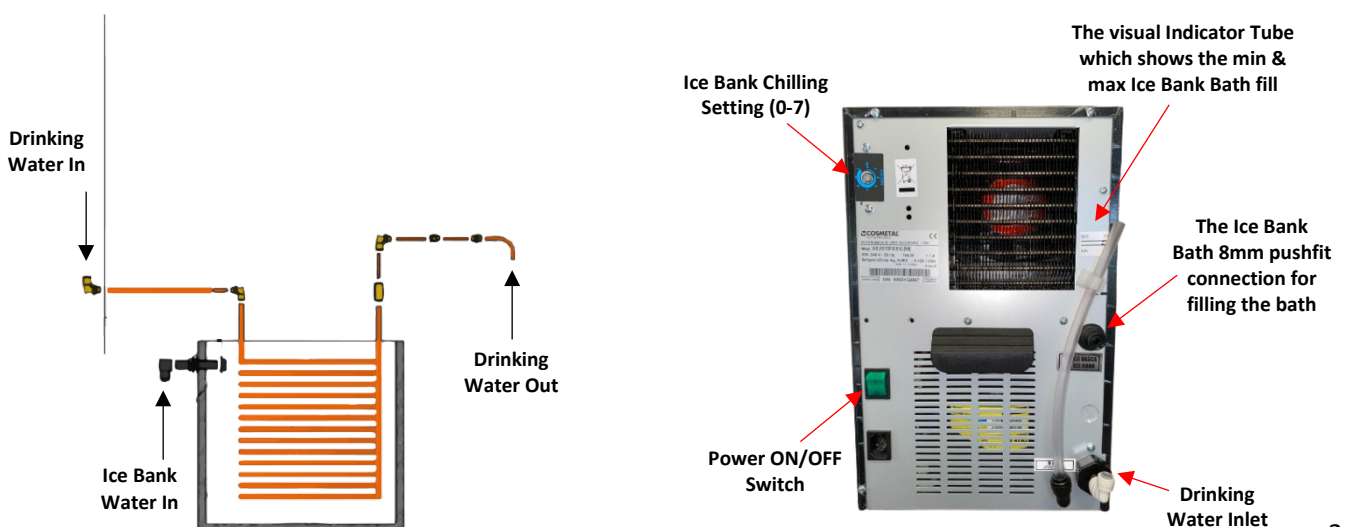
Caution: If the chiller has been lying down or upside down, leave it upright for at least 4 hours before use.

The below instructions are provided for summary guidance purposes for more detailed information please refer to the manual provided with the unit or download from our website.

1. **Select a suitable installation site:** Power within 1 metre, Potable water supply, Flat surface, Drainage in case of the Niagara FS or recessed drip trays, allow space around the cooler for ventilation – IN (Under counter) Models will require ventilation in the cupboard. Ensure you have a minimum of 2 bar water pressure and regulate the mains pressure with the pressure reducing valve to 3 bar.
2. **Connect the plumbing rail (PFRAILKITCOS)** to the mains, follow instructions provided with the kit. If using another kit, ensure you have the correct adapters and tubing before attempting installation. Cosmetal use 8mm fittings (equivalent to 5/16" imperial) on the inlet and 6mm fittings between the IN (under sink) units and the taps. Cosmetal supply the appropriate fittings as above with some 6mm and 8mm tubing. The PFRAILKITCOS plumbing rail has 8mm connections and a Fibredyne filter candle, both of which optimise the flow rate and chlorine removal capacity. Using a PFRAILKIT with Carbon Block Candle, or a PFRAILKITNANO with NANOF Candle requires ¼" diameter pipes. You will need an adapter at the Cosmetal unit's inlet to convert the ¼" to 8mm. The combination of the narrower ¼" pipe and the Carbon Block Candle can affect the flow rate adversely. To mitigate against that you can.
 - Change the Carbon Block Candle for an NANOF Candle which offers higher flow rates and a low pressure drop.
 - Reduce any ¼" pipe length should be as short as possible.
 - Open up the Pressure Regulator to increase the flow if on a low-pressure site.

We recommend you install a **scale removal filter with the Prostream boiler** system in hard water areas. We can supply the Brita C150 filter to facilitate this.

3. **To fill the ice bank;** refer to the manual for the different methods. Connect the pipe to the ice bank inlet and fill. Most models have a **visual indicator tube** on the back of the unit to identify the correct fill level. This tube can also be used to drain the ice bank before moving or relocation. Fill the ice bank to the max level. The Niagara free standing system does not have a visual indicator tube. Connect the drainage hose supplied at the back and drain into a bucket. Connect the incoming water to the ice bank inlet and fill the ice bank until the water runs from the drainage hose. To drain the Niagara ice bank you need to syphon or pump the water out.

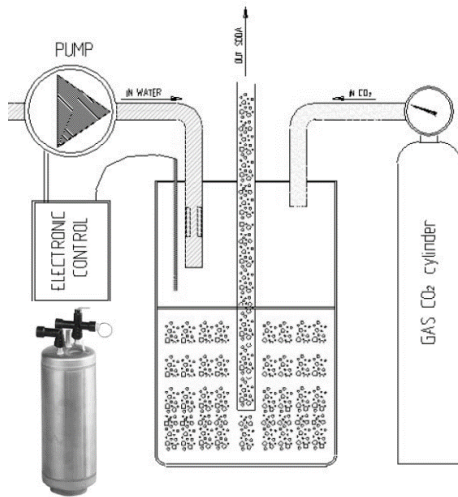


4. **Connect the inlet water supply:**

Disconnect incoming water feed from the ice bank and connect into the 8mm-5/16" water inlet fitting, located on the back of the cooler. Note some models have a 3/4" male BSP fitting, use the parts provide to adapt to 8mm.

5. **Turn the water and power on** and dispense water through all taps. Check for any leaks.

6. **With Gas versions,** connect the CO2 bottle to the CO2 Inlet. The recommended gas pressure should be no greater than 4 bar. Please note the CO2 pressure should be greater than the water pressure. Only turn the gas on after the tank has been filled (see step 5)

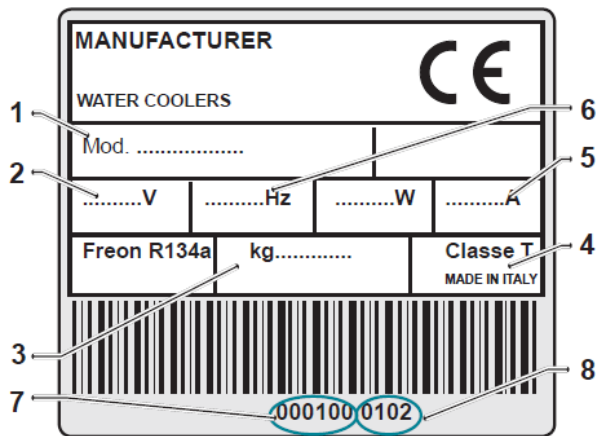


7. **Set the thermostat** we recommend you set the stat to 5 on the mechanical stats. (all models excluding the electronic control versions) Turn the stat clockwise to 5. Do not set to 7 as this could freeze the Ice bank.



8. **Set the thermostat on EC versions.** Thermostat settings need to be adjusted through the control panel. The default settings are -2 C for the summer months and +2 C for the winter. We recommend you set both to +2C. Please see the instruction manual for programming instructions. Failure to set the thermostat correctly could lead to a frozen ice bank.





APPLIANCE DATA PLATE


1	Model
2	Supply voltage
3	Quantity of cooling gas
4	Class
5	Total absorption
6	Frequency
7	Serial number
8	Construction year-month

EN CONFORMANCE STATEMENT

This appliance has been manufactured with suitable materials for use with drinking water.

This product was designed, made and put on the market respecting the following conformities:

- Following EC requirements safety objectives of the 2014/35 UE/LVD;
- Protection requisites of 2014/30/UE EMC.

• Certified by  TÜV HESSEN

EN 1 BEFORE USING THE APPLIANCE

1.1 WARNINGS



In order to use your appliance to its best, we advise reading these instructions carefully as they contain useful information.

- Keep this book for later use.
- When you have removed the packaging, make sure that the appliance is not damaged. Any damage must be reported to your carrier within 24 hours.



If the machine has been put down or turned upside down, wait for at least 8 hours before putting it into operation

- Make sure that installation and electrical wiring are carried out by a qualified technician according to the manufacturer's instructions and to the local norms in force. The electrical system must be equipped with an effective earth according to the law (46/90).

1.2 GENERAL PRECAUTIONS AND SUGGESTIONS



Before carrying out any maintenance or cleaning operation, remove the plug from the mains socket.

- Do not pull on the supply cable in order to remove the plug from the socket.
- When the appliance has been installed, make sure it is not resting on the mains supply cable.



The manufacturer reserves the right to change the product and its instructions manual without prior notice or updating of previous productions

EN 1 BEFORE USING THE APPLIANCE



Failure to comply with any of these safety regulations could cause fires, electric shocks or damage the machine

Place of installation

This equipment is intended for domestic and other similar uses, such as:

- Kitchen areas, shops, offices and other work environments
- Rural homes, hotels, motels and other residential buildings
- B&Bs and guest houses
- Catering services and similar retailers.
- Do not place the machine near inflammable solvents such as alcohol or diluents.
- Do not install the machine in excessively damp and dusty places, exposed to direct sunlight, outdoors or near to heat sources.
Machine installation in these places could cause fires or electric shocks.
- The appliance is not suitable for use in open places.

Electric power supply

- Do not connect or disconnect the machine from the socket with wet hands.
- Insert the plug into the wall socket firmly.
- Do not damage, modify, stretch, bend or twist the power cable.
Do not place heavy objects on the power cable.
- Do not connect the machine to a socket to which other equipment is connected (extensions, 2 or 3 plug adaptors, etc.)
- Do not use the machine if the power cable is tied or knotted.
- If smoke, unusual smells or strange noises are found coming from the machine, disconnect it immediately from the socket and contact the local retailer or technical service assistance.
Use of the machine in these conditions could cause fires or electric shocks.
- Periodically disconnect the machine from the socket and clean the plug and socket with a dry cloth.
If the machine is connected in a place exposed to dust, smoke or high humidity, the dust accumulated on the plug will absorb humidity and this could alter the insulation and trigger a fire.
- Do not spray water on the device; this could cause electric shocks or fires.
- The appliance must not be installed where water jets can be generated.
- Use a damp cloth to clean the machine. Do not use inflammable solvents such as alcohol, benzene or diluents. If inflammable substances come in contact with the electrical components inside the machine, they can cause fires or electric shocks.
- Before cleaning the machine, switch it off and disconnect it from the socket. Not being switched off or accidental switching on during cleaning could cause injuries to persons or damages to the machine.
- The equipment must not be used by children under 8 years of age or by people with physical, sensory or mental health problems, or people who lack the experience or the necessary knowledge, unless under surveillance and not before they have received the relevant instructions on how to use the equipment safely and they understand the inherent dangers.
Cleaning and maintenance for which the user is responsible must not be performed by children unless they are older than 8 yrs and supervised by an adult.

EN 2 REMOVAL OF PACKAGING

- Place the appliance in its installation site (chap. 5 - INSTALLATION).
- Cut straps **R** and remove carton **C**, polystyrene **F** and external plastic bag **S**.
- Do away with plastic bags **S** and polystyrene **F** immediately as they are a danger for children.
- Once the appliance is free from its packaging, remove the base **B**.

2.1 ADVICE ON HOW TO PROTECT THE ENVIRONMENT

Packaging

Packaging material is 100% recyclable.

For its disposal follow your local regulations.

The packaging material (plastic bags, polystyrene parts etc.) must be kept out of children's reach as it could be dangerous.

Information

This appliance does not contain CFCs (the cooling circuit contains a gas that is not harmful to the ozone layer).

For further details, please refer to the serial data plate on the appliance.

Produkt

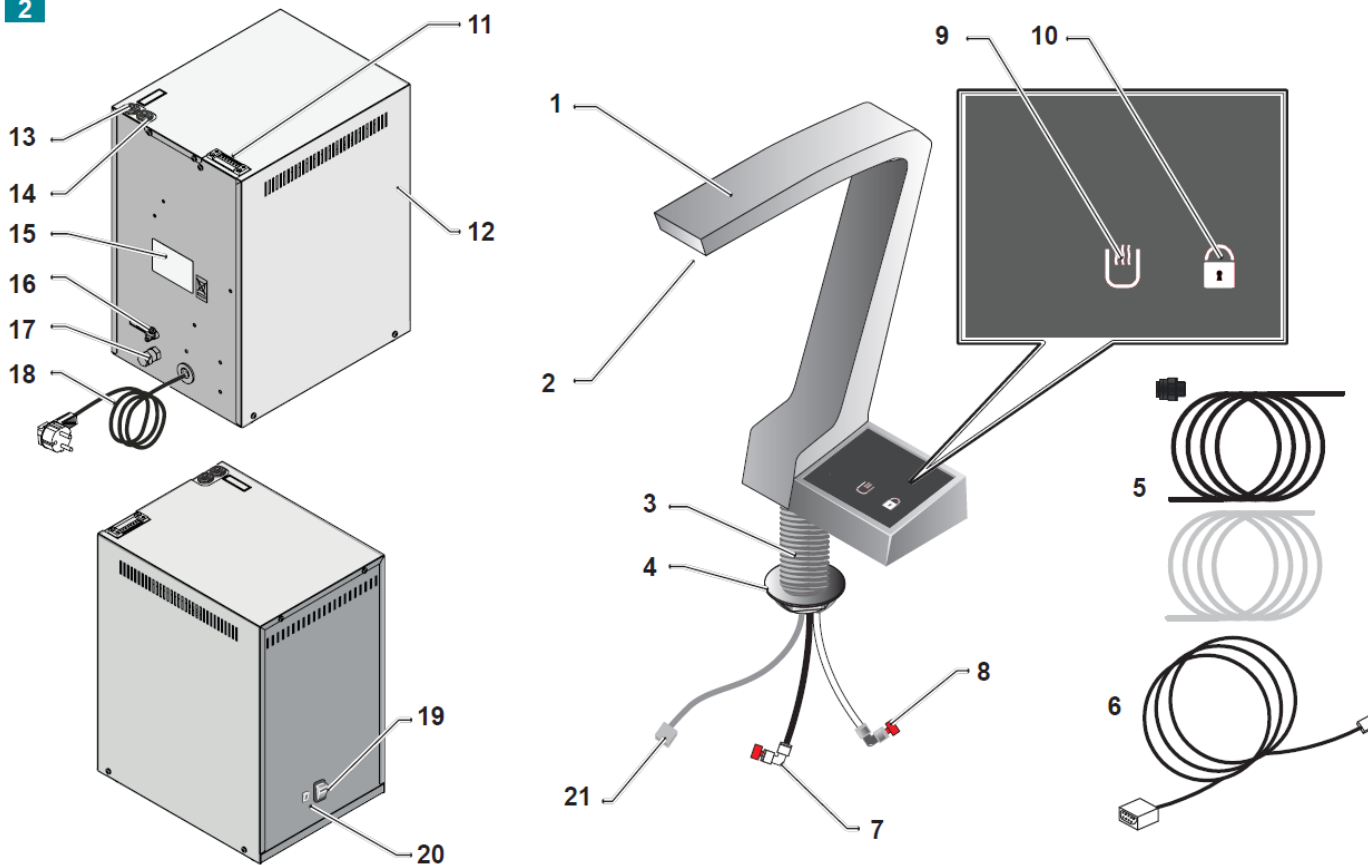
This appliance is marked according to the European directive 2012/19/EC on Waste Electrical and Electronic Equipment (WEEE). By ensuring this product is disposed of correctly, you will help prevent potential negative consequences for the environment and human health, which could otherwise be caused by inappropriate waste handling of this product.



The symbol on the product, or on the documents accompanying the product, indicates that this appliance may not be treated as household waste. Instead it shall be handed over to the applicable collection point for the recycling of electrical and electronic equipment.

Disposal must be carried out in accordance with local environmental regulations for waste disposal. For more detailed information about treatment, recovery and recycling of this product, please contact your local city office, your household waste disposal service or the shop where you purchased the product.

2

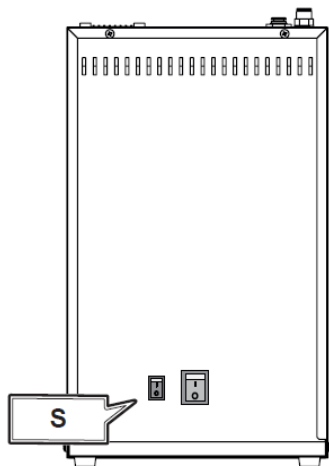


EN 3 DESCRIPTION OF THE APPLIANCE

3.1 GENERAL VIEW

- 1 Tap
- 2 Nozzle
- 3 Threaded pipe 1"
- 4 Threaded locking ring with gasket
- 5 Installation kit
- 6 Connection cable with solenoid valve box
- 7 White Pipe Fitting for hot water (+ cap)
- 8 Black Pipe Fitting for cold water (+ cap if necessary)
- 9 Hot Water key (if any)
- 10 Hot Water Safety key (if any)
- 11 Cable connection on the boiler
- 12 Removable boiler casing for maintenance operations
- 13 Hot water outlet HOT OUT
- 14 VENT – VALVE outlet to connect to the drain
- 15 Data rating plate
- 16 Water inlet WATER IN
- 17 Water softener Wash outlet
- 18 Electric connection cable
- 19 Main Switch ON OFF
- 21 ENERGY SAVING disabling switch
- 21 G7 Cable

3



EN 3 DESCRIPTION OF THE APPLIANCE

3.2 BOILER START

When water supply is connected, the boiler starts automatically and dispenses hot water as soon as it is ready.

The boiler status is shown by the red keys next to the tap:

Continuous red light=Boiler ready

Fast blinking red light=Boiler heating up

Slow blinking red light=Energy saving mode.

If you use a large amount of water (approximately 5 litres), the water in the boiler may finish. In this case, you will have to wait for it to refill.

As it refills gradually to allow the water to be heated evenly, there will be a few minutes' wait before the supply returns.

3.3 ENERGY SAVING

The Energy Saving mode is triggered automatically after 2 hours of operation, heating water in the tank to 65°C.

After 3 hours of operation, the heating turns off.

To exit the Energy Saving mode, press the red keys and the heating will start immediately. Fast blinking of the red keys means that the heating is on.

Once you have exited from the Energy saving mode, the machine is immediately ready to supply water even though it has not yet reached its maximum temperature..

ENERGY SAVING is disabled by setting the S switch in the I position (ON).

3.4 ACOUSTIC SAFETY ALARM

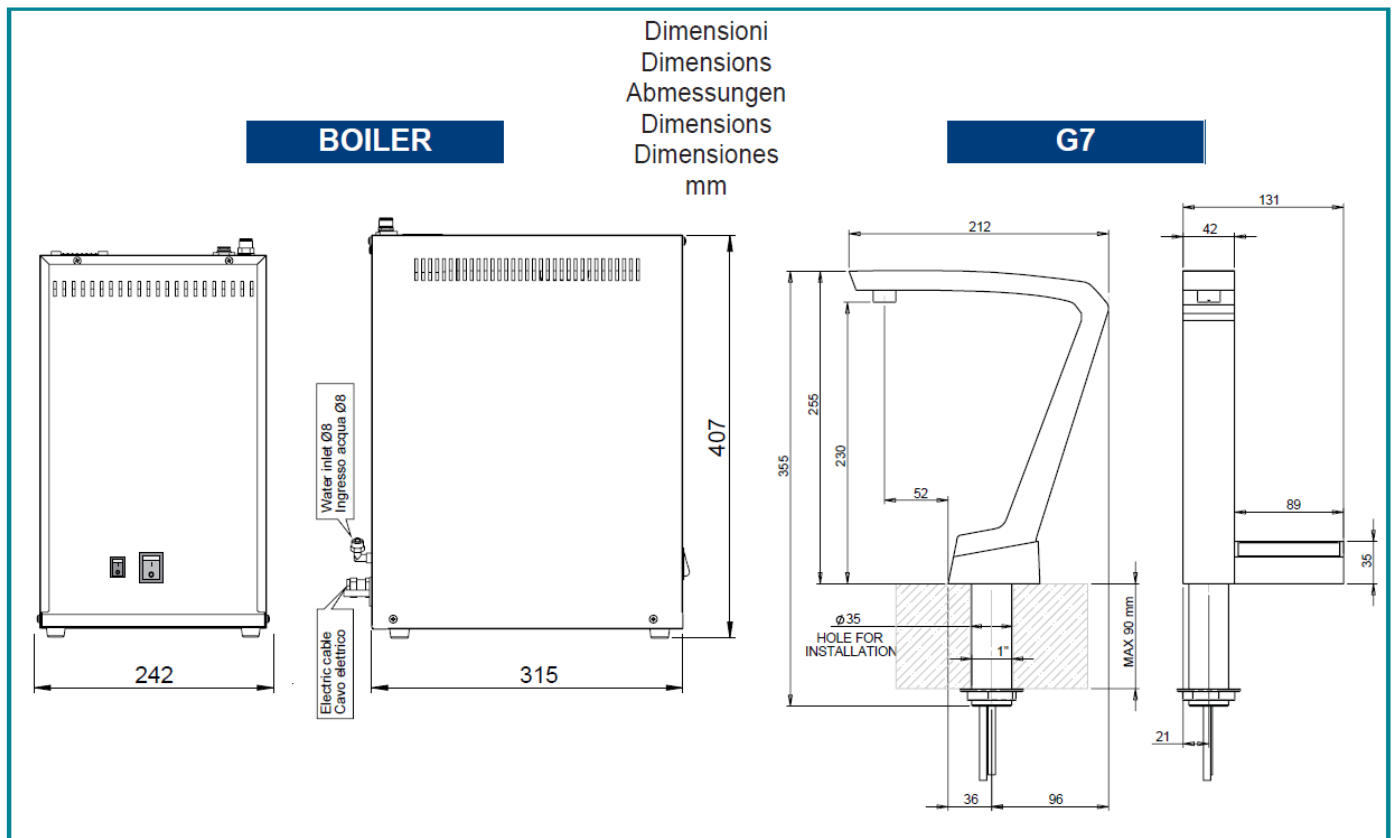
In the event there is no mains water, if the hot tank cannot refill, heating is blocked and an intermittent acoustic alarm is triggered.

- Switch off the machine and contact our technical assistance service. Once the cause for the lack of water has been resolved, they will restart the machine by switching on the main boiler switch again

12

5561497

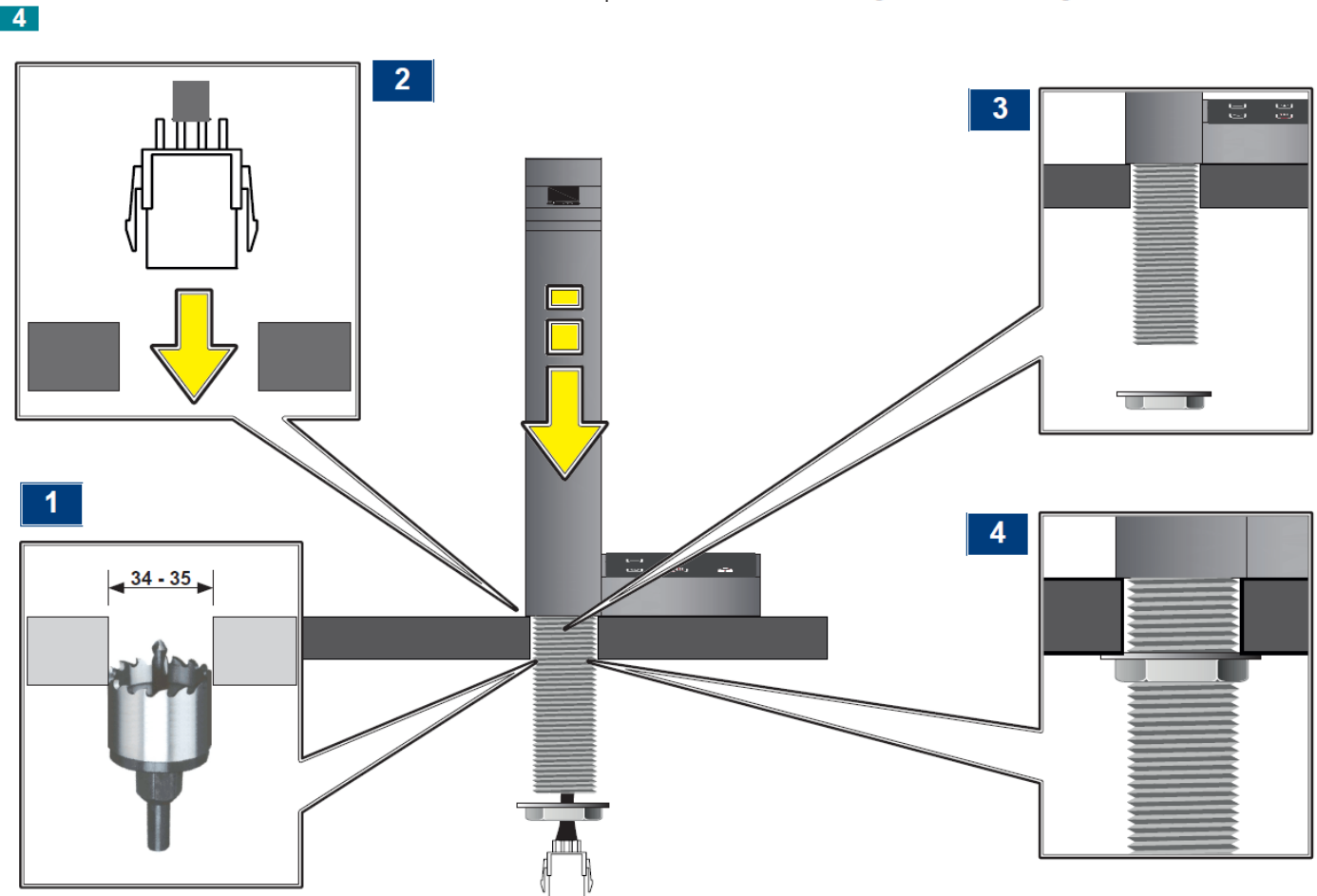
EN 4 TECHNICAL CHARACTERISTICS

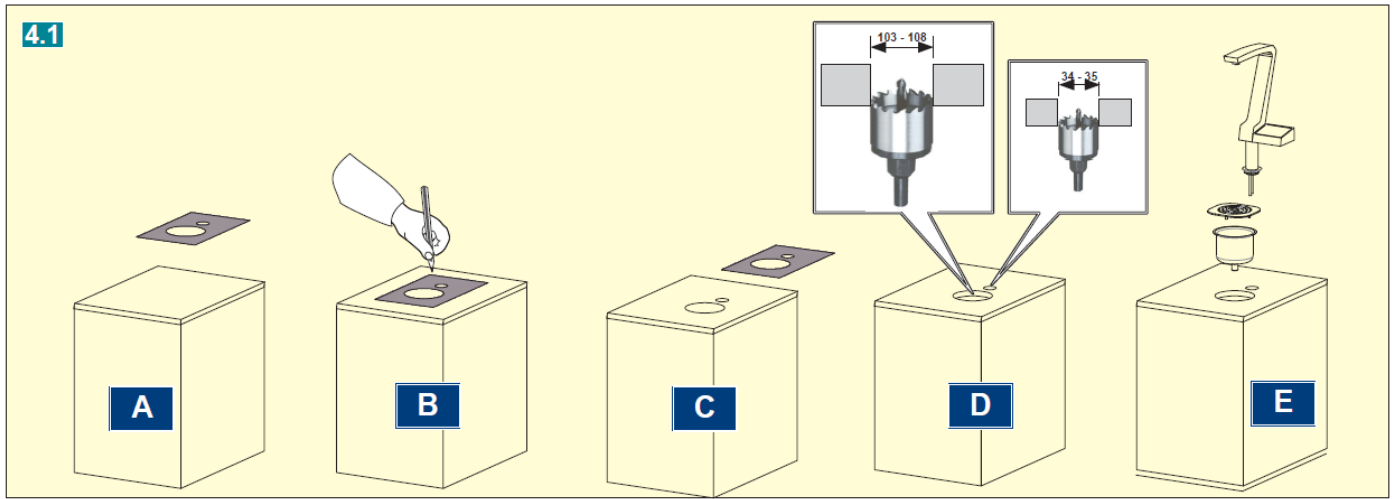


		BOILER	G7
Produzione acqua Water production Trinkwasserproduktion Production d'eau Producción de agua	Lt/h	55	
	usg/h	14	
Temp. uscita acqua Water outlet temperature Temperatur des gependeten Wassers Temperature sortie de l'eau Temp. de salida del agua	°C	Max 98	
	°F	Max 208	
Assorbimento totale Total rated input Gesamtaufnahme Absorption totale Total absorción	Watt	2600	
Alimentazione Supply Stromzufuhr Hz Aliment. Alimentación	V o l t	220 - 240 / 1 / 50 Hz Eventuali voltaggi speciali sono indicati nella targhetta "matricola". Any special voltages are indicated on the plate "serial number". Alle Sonderspannungen sind auf der Platte "Seriennummer" angegeben. Les tensions spéciales sont indiquées sur la plaque "numéro de série". Cualquier tensión especiales están indicados en la placa de "número de serie".	
Peso netto Net weight Nettogewicht Poids net Peso neto	kg	14	5
	Lbs	28,6	11

HANDBOOK SECTION II


Reserved to qualified operators



4.1

EN 5 INSTALLATION

5.1 POSITIONING THE APPLIANCE

 For the cooler installation see its own instruction manual

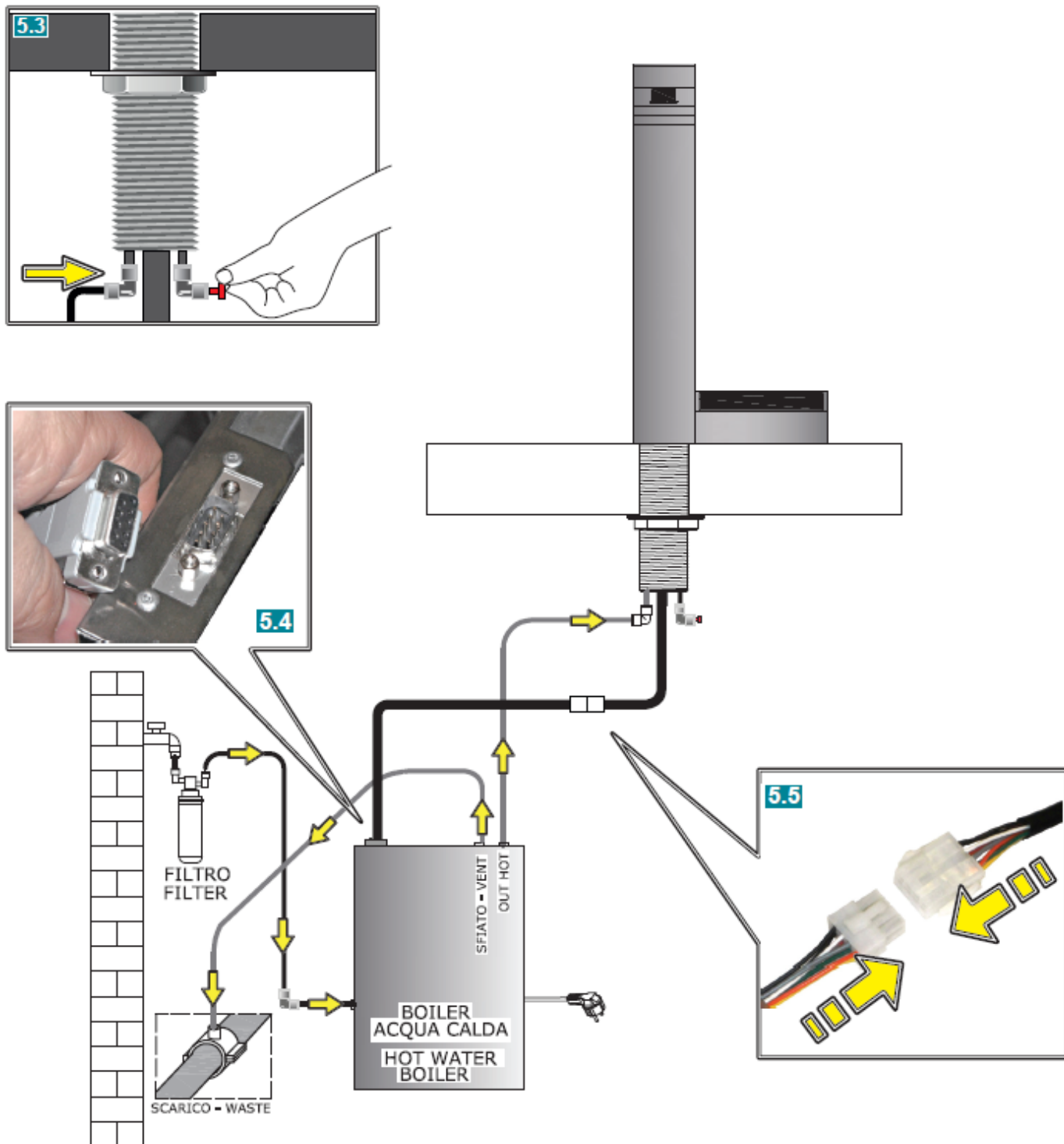
Position the appliance in the point of installation, away from sources of heat and direct sunlight.

The appliance is not suitable for outdoor use and it is also not recommended to install it in very damp rooms.

- 1 Drill the countertop, the hole must be 34-35 mm (1,34-1,37 inches).
- 2 Slide the cable and pipes through the hole
- 3 Tighten the threaded ring to lock the device and its gasket
- 4 Check the correct appliance position and tighten the nut.

If the optional kit consisting of concealed tray, grid and drilling mask is available, proceed as follows (Fig.4.1):

- A) Place the drilling mask as displayed in the figure, keeping account of the tap sizes.
- B – C) Mark the position of the holes on the surface.
- D) Drill as follows:
 - Ø34-35mm, tap hole
 - Ø103-108mm, tray hole
 These two holes must be done at the distance given by the drilling mask.
- E) Place the tray on the surface and fix it with sealant. Install the discharge fitting and gasket on the round tray. Connect a discharge pipe (not supplied) to the fitting on the tray bottom.



EN 5 INSTALLATION

5.2 WATER CONNECTION

! During connection of the appliance to the mains water supply, all pre-existing tubes, gaskets and joints placed between the appliance and the water mains connection must be replaced with new material to avoid contamination.

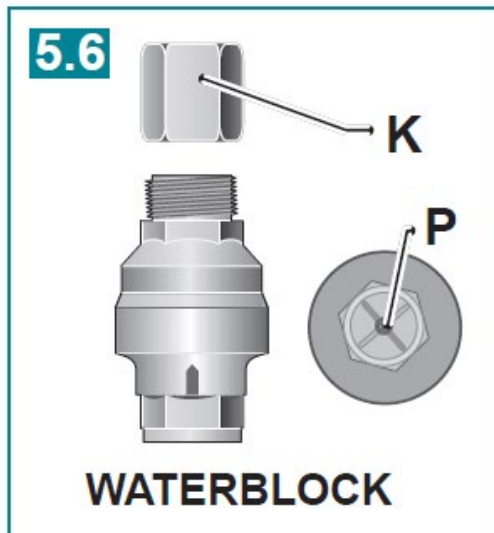
- Connect water pipes to the cooler and boiler, according to the data on the pipe nameplates:
Black pipe for cold water, white pipe per hot water.
- Apply the needed pressure to insert the pipes.
- Check carefully for any water leakage.
If the tap is installed without a cooler, one of the pipe is useless. Therefore it can be closed with a cap included in the supply (Fig. 5.3).

CABLES INCLUDED IN THE SUPPLY
Connect the cables (supplied) between the boiler, tap and solenoid valve box. Firmly insert the green connector into the solenoid valve box (Fig. 5.4-5.5).

Softener Cartridge with Ionic exchange resin.
In common with all water boiler manufacturers, service calls resulting from limescale are not covered by warranty. Failure to comply with fitting a suitable scale management filter cartridge at the time of installation and replaced at the time/capacity recommended by the filter manufacturer, will invalidate your warranty.

- Suitable filters are considered to be
- 3M Scalegard Pro,
 - Everpure Claris Ultra,
 - Brita Purity Quell
- or of a similar standard filter

(Softener Cartridge with Ionic exchange resin).



EN 5 INSTALLATION

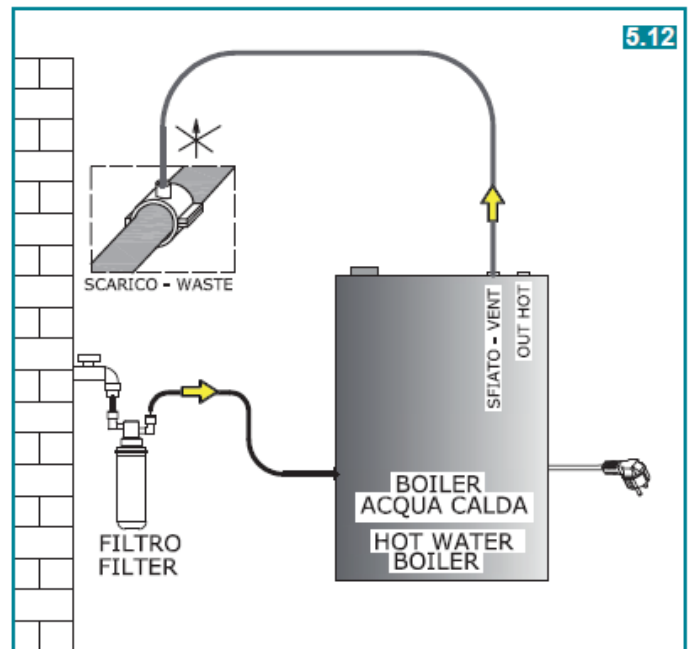
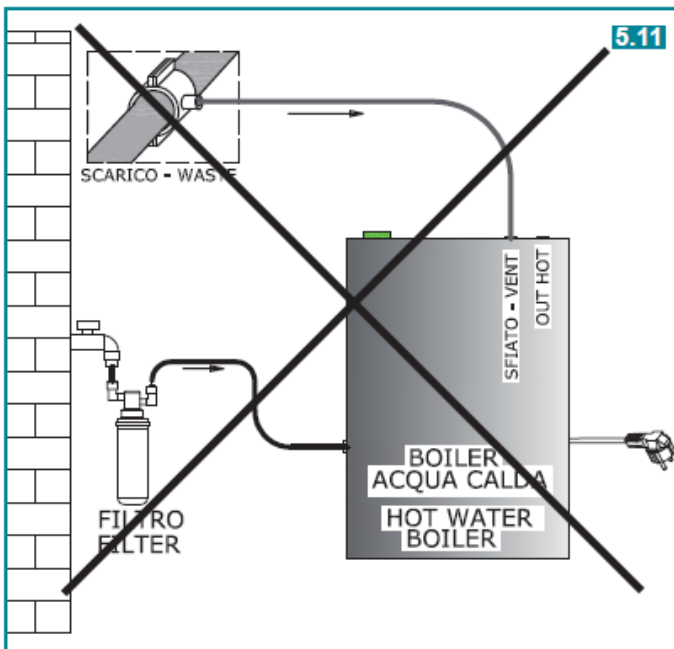
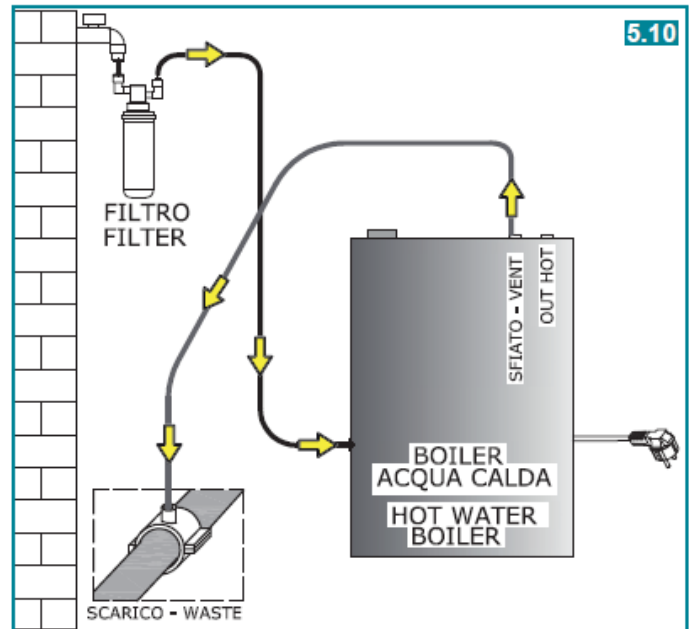
Before making the water connection, make sure the mains water pressure is between 2 and 3 bars.

- If the mains pressure is below 1 bar or the flow rate is less than 2 l/min, fit a device capable of increasing the mains pressure (such as an autoclave or similar).



N.B.: the pressure is especially important for those water coolers fitted with a carbonation device.

- This water dispenser can be equipped with a WATER BLOCK anti-flooding device (optional) to prevent any accidental water leaks (fig.5.6). Once the WATER BLOCK device has intervened, fitting K should be disassembled and button P pressed to reset the device.
- If the mains water pressure exceeds 3 bars, predispose a pressure reducer capable of reducing the latter to the 2÷3 range (fig.5.7).
- If instead of being connected directly to the aqueduct the machine is connected to an autoclave pump, then it is necessary to install above the water supply an ANTISHOCK device to prevent "water hammers" (fig. 5.8).



Riservato ad operatori qualificati - Reserved to qualified operators - Für qualifizierte Betrieben - Réservé aux personnel qualifié - Reservado a técnicos calificados

EN 5 INSTALLATION

5.3 CONNECTION TO VENT

The "VENT" fitting must be connected to a vent pipe or however to a drainage system, to discharge the steam produced during the heating cycles.

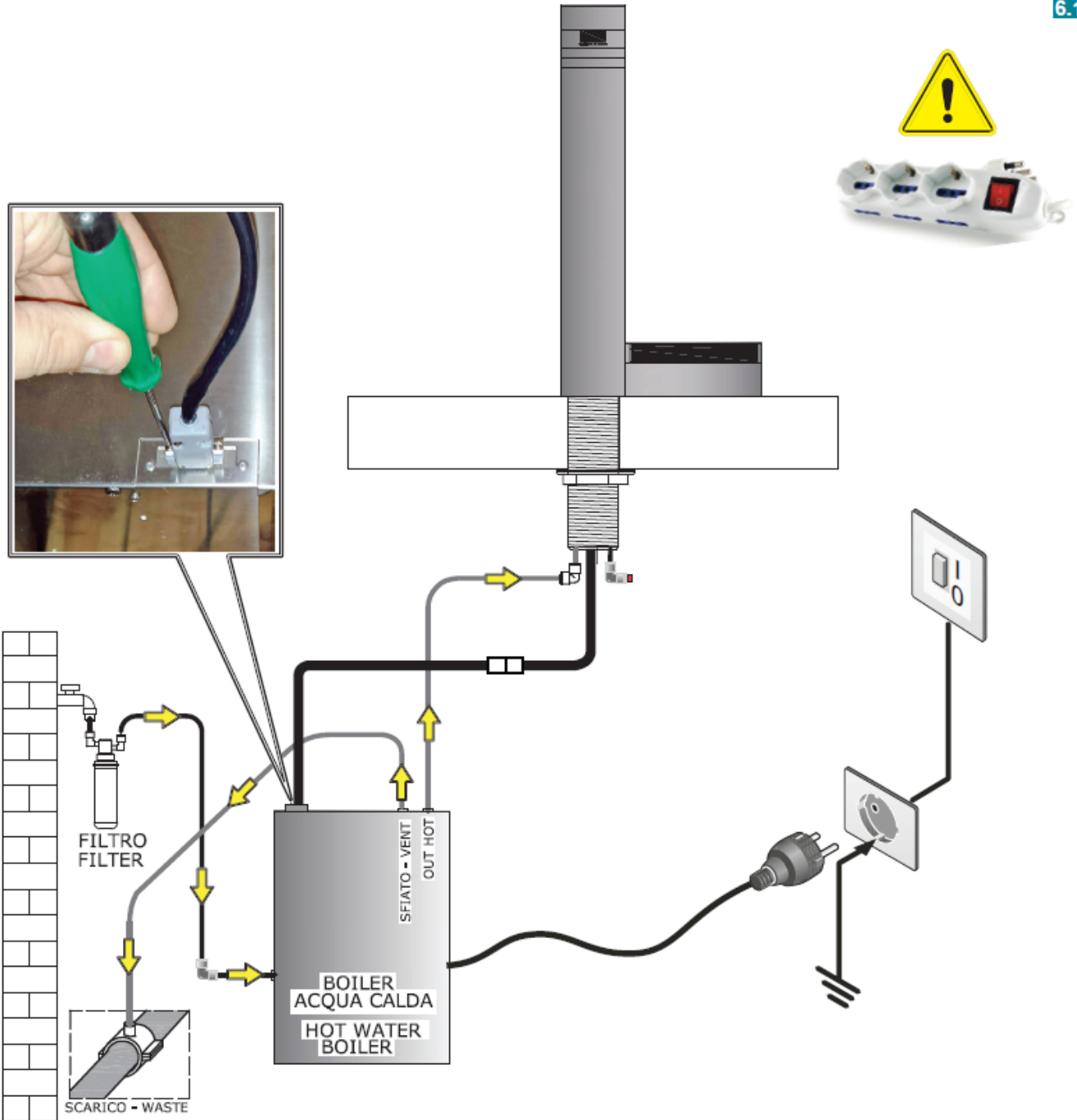
Use a discharge fitting according to the local standard, like for example the one displayed (Fig. 5.9).

The diameter of the vent pipe (supplied) is 8 mm (5/16 inches).

- The vent pipe must be installed in a workmanlike manner, taking care that no bad odors can enter the boiler from the vent. Ideally, the drainage should be placed lower than the boiler (Fig. 7.6).

! It is absolutely necessary to avoid that the vent pipe runs higher than the boiler to prevent waste water from flowing back into the boiler (Fig.5.7)

- If the vent pipe is higher than the boiler, make sure the pipe follows a path higher than the drainage, to prevent waste water from flowing back into the boiler (Fig. 5.12).



EN 5 INSTALLATION

5.4 ELECTRICITY CONNECTION

Connection to the mains electricity supply is carried out by connecting the plug to a mains socket (fig.6).

The supply socket must be equipped with an efficient earth plate and it must be sized for the load of the appliance (see technical characteristics).

Make sure that the mains voltage corresponds with what is specified on the data plate.

Make sure that there is an omnipolar switch above the socket with a minimum contact break of 3 mm protected by fuses of suitable amperage for the absorption of the appliance itself (see technical characteristics and data plate).

Connect the machine to a mains electrical network protected by a circuit breaker with a sensitivity equal to or less than 30 mA.



Warning!

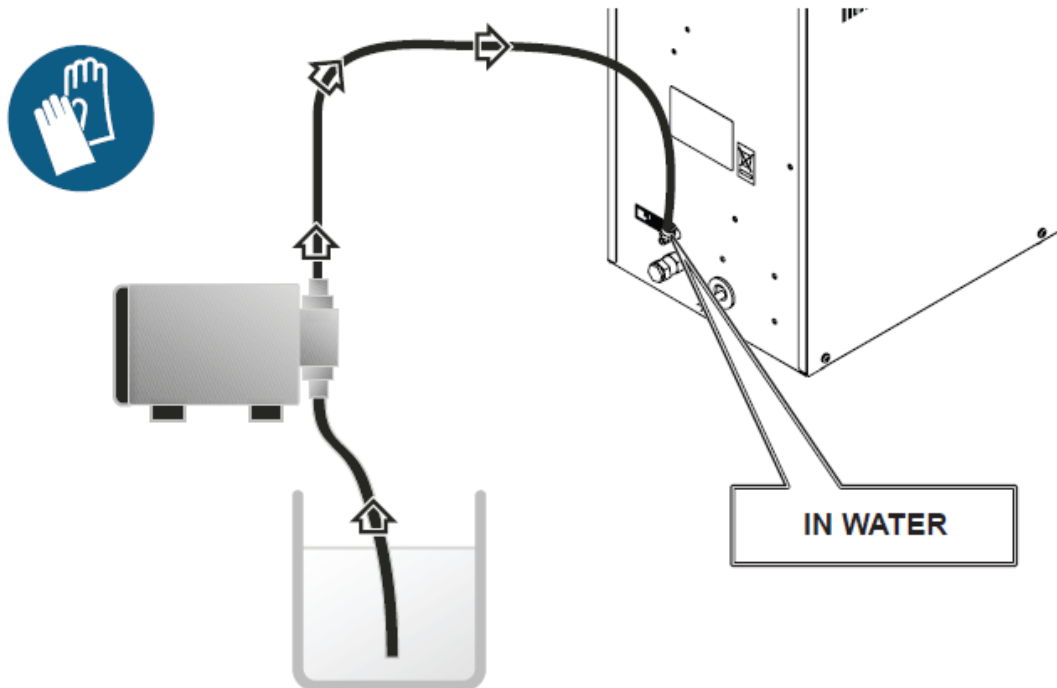
If the power cable is damaged, it must be replaced by the manufacturer, by an authorized technical assistance provider or else by an individual with similar qualifications, in order to prevent any risks.



The main ON/OFF switch, allows the easy disconnection of the appliance from the mains electricity supply. The electrical power outlet must be in an accessible location.



Before connecting the machine to a multiple socket, verify its specifications and total load rating (fig.6.1).



EN 6 ROUTINE MAINTENANCE

6.1 INTERNAL CLEANING/ HYGIENIC CLEANING

WARNING! Given that the products used for the hygienic cleaning procedure contain corrosive acidic and alkaline substances, disposable gloves and protective eyewear should be worn at all times. When performing the hygienic cleaning procedure, please keep to the product reaction times, sanitising liquid percentages and quantities of water for rinsing.

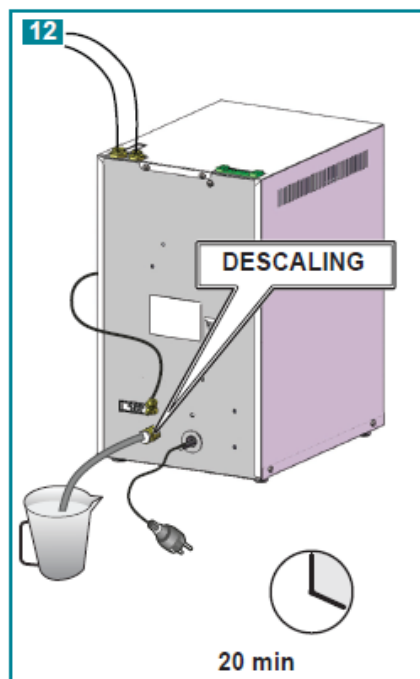
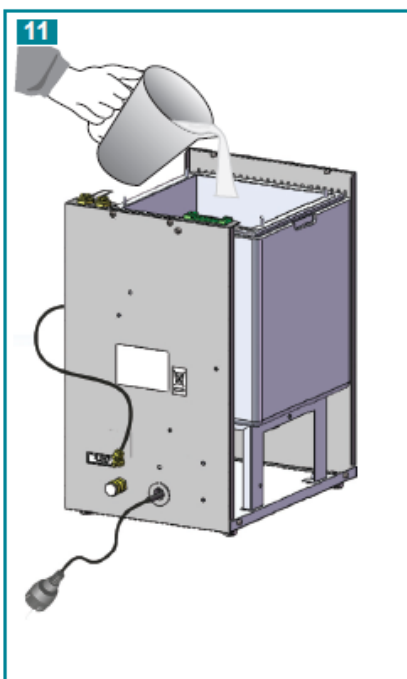
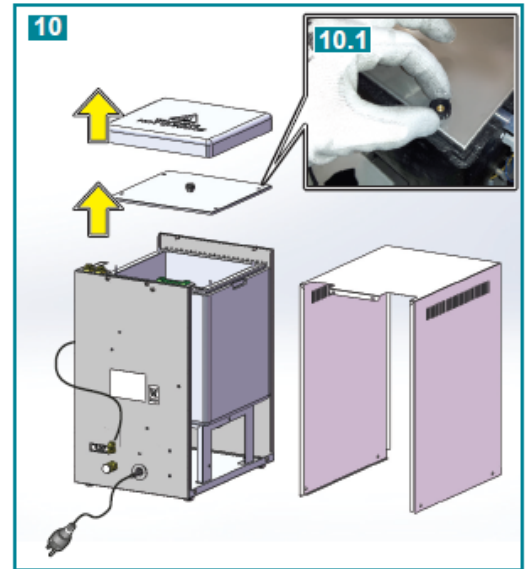
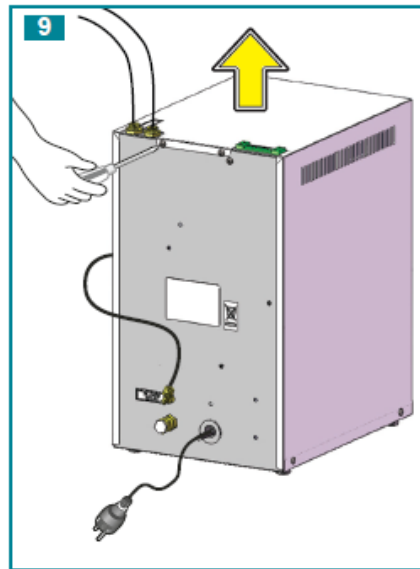
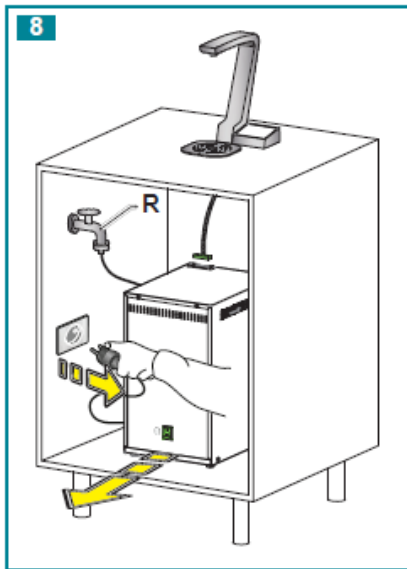
- The operation of higienization/sterilization has to be carried out every time the refrigerator is installed and:
 - every 6 months when it is used (*)
 - every time the water filter is changed
 - after an inoperative period of one or more weeks
- (*) If the refrigerator is installed in Hospitals, Schools, Old people's homes, or Clinics, it is recommended to sterilize it every 3 months.

Warning: If a filtering kit is fitted on the appliance, it should be excluded from the hygienic cleaning process.

Preparation of the hygienic cleaning solution:

- Take five litres of water
- Add to it 5% of hydrogen peroxide 100 volumes; for the dosage, use a graduated measuring cup or a common syringe.

N.B.: when using commercial hygienic cleaning solutions, keep to the instructions provided by the manufacturer and included in the packaging.
- Using a pump, connect the appliance water inlet to the container filled with the disinfectant solution.
- Start the pump, allowing the disinfectant to enter the appliance, then turn on the taps to enable the hygienic cleaning solution to flow throughout the entire hydraulic circuit, right through to the water dispensing spout.
- Before you run out of disinfectant solution, turn the pump off and stop the water dispensing.
- Leave the disinfectant solution to act for minimum 20 minutes.
- Reconnect the appliance to the water mains.
- Before using the machine, let at least 15 litres of water flow from the taps (at 4-litres intervals to avoid the WATER BLOCK intervention, if present) so to rinse thoroughly the water system



EN 6 ROUTINE MAINTENANCE

6.2 LIMESCALE REMOVAL

Lime scale formation is a normal consequence of using the boiler. Therefore, you will need to regularly remove the lime scale depending on how hard your water is (every 2-3 months).

We recommend using professional lime scale removal solutions (never use vinegar).
Wear protective gloves.

- 1 Close the intake tap R (Fig. 8) and run hot water until the tank is completely empty.
- 2 As the machine cannot refill, the acoustic alarm will trigger. At this point switch off and disconnect the supply cable.
- 3 Remove the boiler from the cupboard in which it stands.
- 4 Remove the boiler casing (Fig. 9).
- 5 Lift the insulating lid of the hot tank (Fig. 10).

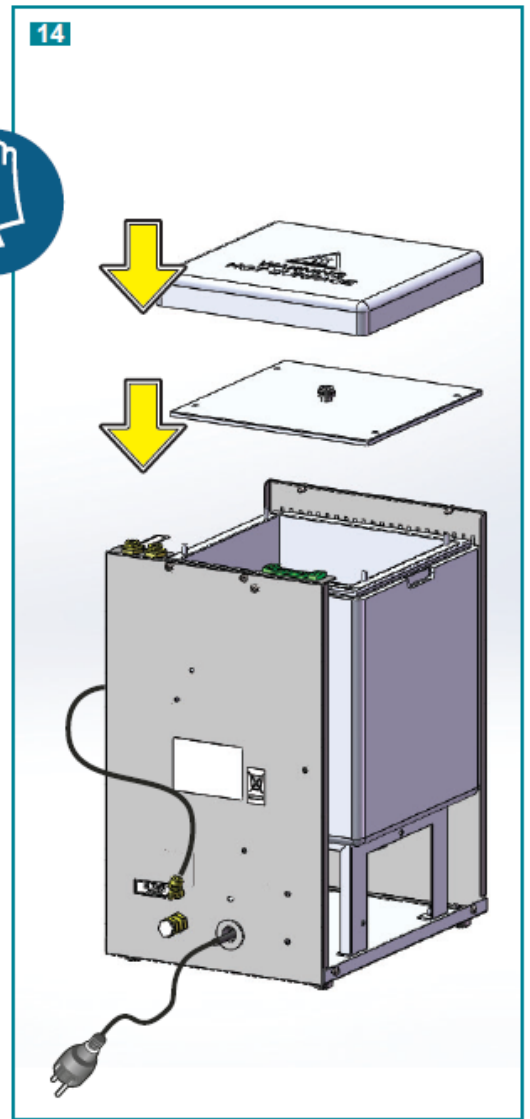
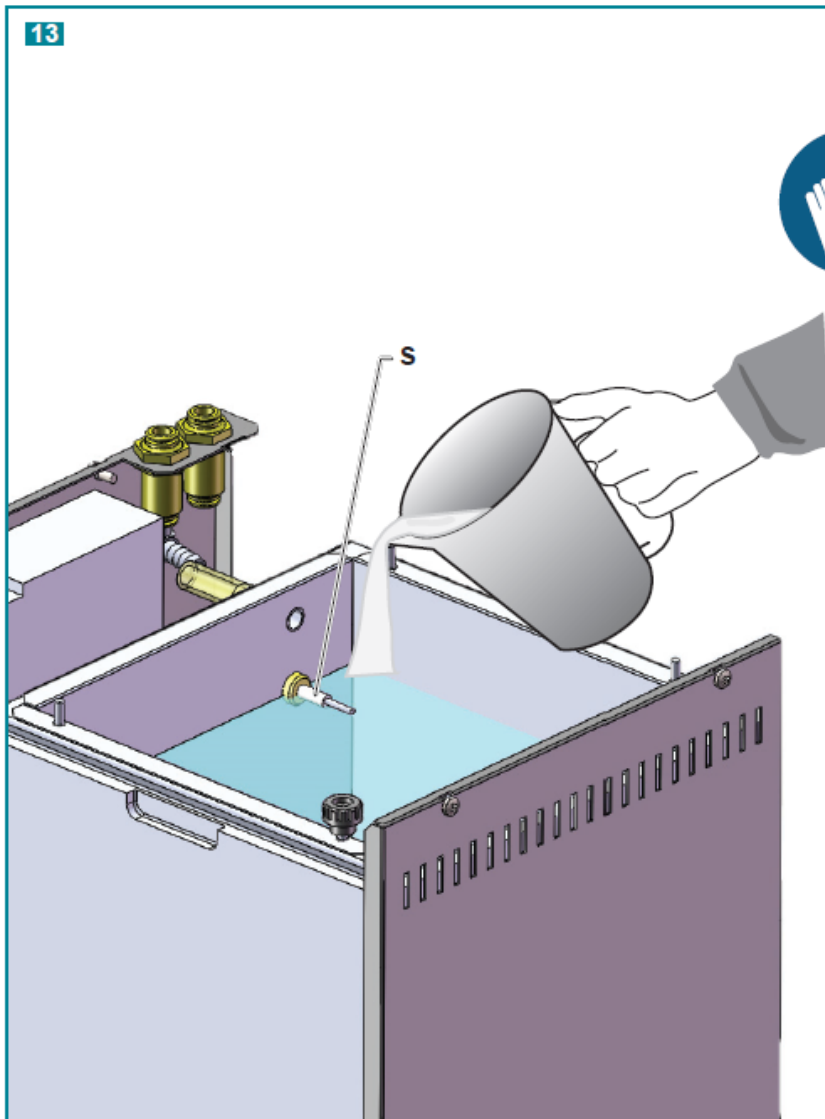
6 Unscrew the black knobs in the corners to remove the steel lid of the tank (Fig. 10.1).

7 Pour 5 litres of lime scale remover solution (not hot), prepared according to the concentration indicated by the manufacturer (Fig. 11).

8 Dilution of the solution will also depend on how thickly encrusted the tank is.

9 Get a bucket to collect the tank water and unscrew the "DESCALING" cap to let the water out of the tank (Fig. 12).

10 Reclose the "DESCALING" cap, pour more clean water into the tank to rinse it and then empty it.



13

14



EN 6 ROUTINE MAINTENANCE

FINAL CLEANING INCLUDING THE TAP

- 11 Close the "DESCALING" cap and fill the tank with a very diluted disinfectant solution until the probe **S** is covered (Fig. 13).
- 12 Reconnect the supply cable and switch the boiler back on.
- 13 Immediately run as much water as possible through the tap so the solution can also rinse the tap piping.
- 14 Switch off the boiler and reopen the "DESCALING" cap to empty the remaining solution on the bottom. Then rinse again to clean the tank.

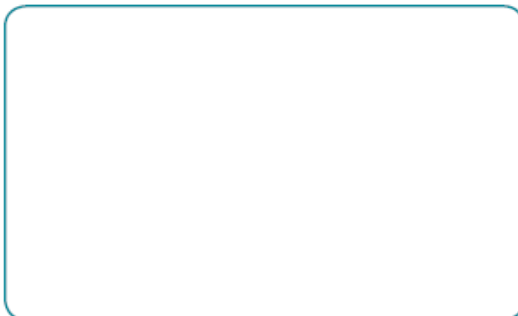
- 15 Close the "DESCALING" cap, reclose the steel tank cover, replace the insulating lid into its correct position and close the boiler inside its casing (Fig. 14).
- 16 Reopen tap **R**, and switch the boiler back on.
- 17 The boiler will fill the tank and will begin to heat. It will be ready to supply hot water once it has reached the correct temperature.
- 18 Empty at least 5 litres of hot water before using the boiler

Servizio di assistenza - *Qualified operator service* - Kundendienst - *Service d'assistance* - Servicio de asistencia

Il distributore / Installatore deve apporre il timbro per fornire il servizio di assistenza

The dealer / Installer has to mark this square for the service

Der Händler / Installateur muss dieses Feld zum Kundendienst abstempeln



Le distributeur / installateur doit apposer son cachet pour fournir le service d'assistance

El distribuidor / Instalador debe poner su sello para proporcionar el servicio de asistencia