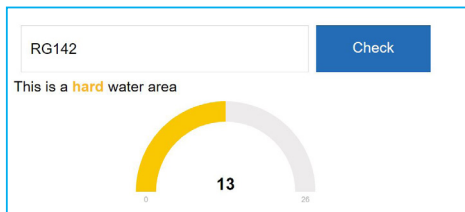


Issue 10 The information hub is designed to provide - mainly technical - information relating to Water Coolers and Boilers, to assist you with your work

Beating Scale

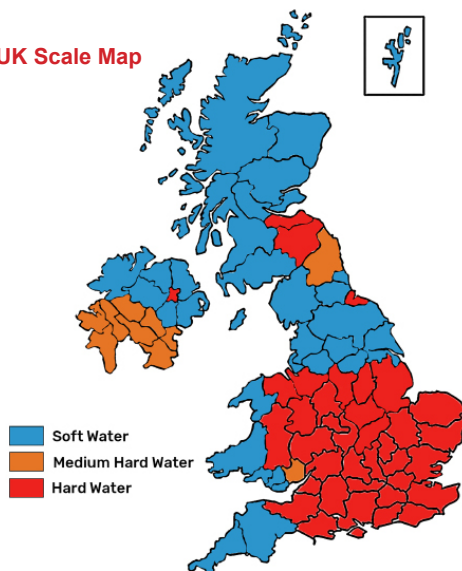
with the EZYTAP Undersink Boiler

Hard water affects around 60% of all UK postcodes, mainly - but not exclusively in the south of the country. Hard water, when heated, creates scale. If you are in a hard water area, you must protect your equipment to stop scale from building up, and to prevent the boiler from malfunctioning and breaking down. We have created a Post Code Scale Checker, which is available to use on our website [Click Here](#) it will tell you how soft or hard the mains water is at your installation site on a scale of 0-26. Just enter your postcode and check:



- 0 - 5 Soft Water - No Scale Filter
- 6 - 15 Hard Water - Resin Scale Filter, Highly Recommended
- 6 - 26 Very Hard Water - Must Use A Resin Scale Filter

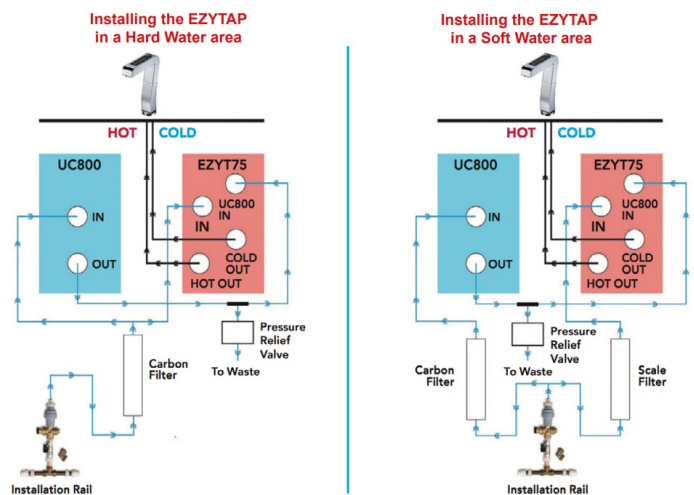
UK Scale Map



To check how hard or soft the mains water is at just visit our website <http://www.aafirst.co.uk/postcode-scale-checker> alternatively just click on the button below.

Check Your Postcode

Installation Diagram



Installing the EZYTAP in a Hard Water area

The EZYTAP has two separate mains water inlets. One to connect to the ambient/chilled side and the other to connect to the boiler side. This allows you to connect the boiler to a resin based scale removal filter, and then the ambient/chilled inlet to a cheaper carbon filter (See Installation Diagram). Unfortunately, resin filters are about 10 times more expensive than carbon filters. The temptation therefore is to use a cheaper carbon filter with Siliphos beads (sometimes sold as scale filters). However, our tests have shown that they do not do the job! There is another complication with resin filters. They get quickly "consumed" by the amount of water passing through them. This is why the EZYTAP has two separate mains water inlets – to allow you to connect a cheaper carbon filter to the ambient/chilled side and use the expensive resin filter only for the hot water.

Installing the EZYTAP in a Soft Water area

You simply connect both water inlets to the EZYTAP to a single carbon filter (see Installation Diagram).