

FONT 30

Wall- mounted Bottle Filler With Bubbler

Installation Instructions

Font30

Step 1

Unpack the FONT30 and check that all parts are included in the box

Step 2

Connect the Bubbler to the basin as shown (1). Ensure that the Bubbler is pointing in the right direction and that all the screw connections are tight

Step 3

Connect the Bottle Filler to the back plate, with the screws provided, as shown (2). Again ensure that all the connections are tight

Step 4

Connect the Inlet Hose (3) to the Bottle Filler (4) and Bubbler (5)

Step 5

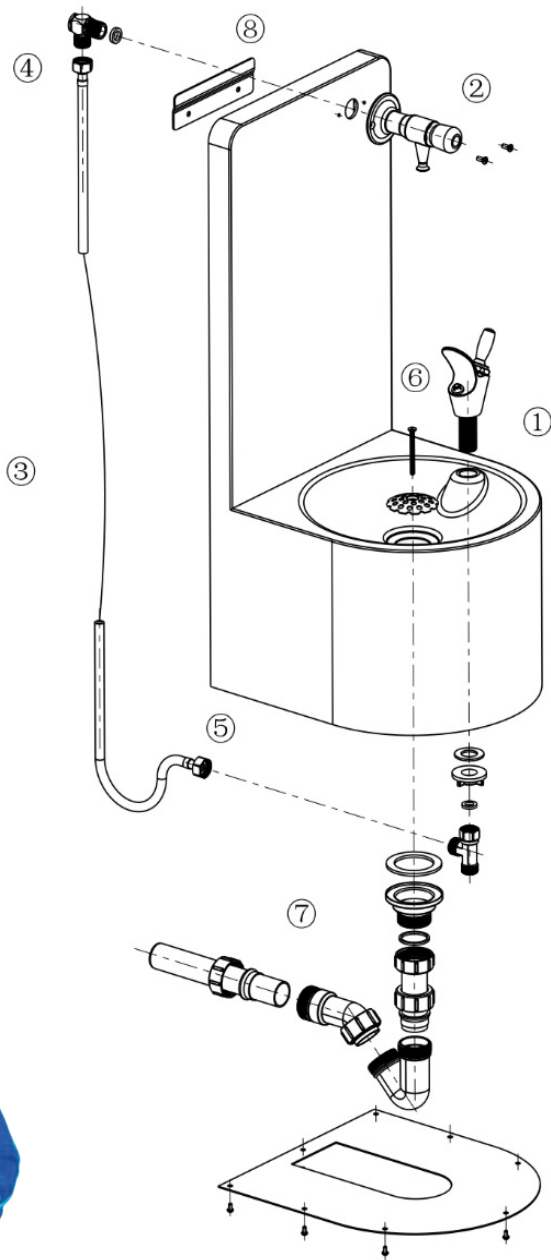
Install the Wall Bracket (8) on which the FONT 30 will hang. Use conventional wall fixings depending on the type of wall. Drill two more holes for two fixing screws at the bottom of the FONT 30 frame

Step 6

Connect the drain to the basin. Use an allen key to tighten the drain screw to the basin (6). Assemble the drain as shown (7). Tighten the tail pipe, P-trap and drain pipe by hand before you tighten them with a wrench

Step 7

Hang the FONT 30 on the Wall Bracket and secure the frame to the wall with the two fixing screws at the bottom of the frame. Screw the bottom plate to the frame with the screws provided



Spare Part	Product Code
Bottle Filler	FONT201
Bubbler	FONT101